

UJ SERIES ▪ LONG LIFE, AUTOMOTIVE 105°C TYPE

KEY FEATURES



- ALUMINUM ELECTROLYTIC CAPACITOR ▪ Snap-In type
- Useful life: 105°C ▪ 5 000 hours
- Extremely stable dissipation factor and leakage current
- Especially for applications with demanding operating environment
- AEC-Q200 version available



SPECIFICATIONS

| Items | | Performance Characteristics | | | |
|--|--------------|---|-----------|---|-----------|
| Operating Temperature Range | | -40 ~ +105°C | | -25 ~ +105°C | |
| Rated Voltage Range | V_R | 200 ~ 450V DC | | 500 ~ 550V DC | |
| Surge Voltage | V_S | $(V_R \leq 315V) \cdot V_S = 1.15 \cdot V_R$ | | $(V_R > 315V) \cdot V_S = 1.10 \cdot V_R$ | |
| Capacitance Range | C_R | 82 ~ 3300µF | | 47 ~ 1000µF | |
| Cap. Tolerance | ΔC | ±20% (120Hz ▪ 20°C) | | | |
| Leakage Current (20°C ▪ V_R applied) | I_{LEAK} | $\leq 3 \cdot \sqrt{C_R \cdot V_R}$ ▪ After 5 minutes [I_{LEAK} (µA) ; C_R (µF) ; V_R (V)] | | | |
| Dissipation Factor % (20°C ▪ 120Hz) | $\tan\delta$ | V_R (V DC) | 200 ~ 400 | 450 ~ 550 | |
| | | $\tan\delta$ | 15 | 20 | |
| Self-Resistance (20°C ▪ 120Hz) | ESR | Not to exceed the values shown in standard ratings | | | |
| Low Temperature Characteristics at 120Hz | Z ratio max. | V_R (V DC) | 200 ~ 250 | 315 ~ 450 | 500 ~ 550 |
| | | Z-25°C/Z+20°C | 4 | 5 | 6 |
| | | Z-40°C/Z+20°C | 7 | 10 | - |

| Lifetime Test | | | | | |
|--|--|---|--|--|--|
| Useful Life 105°C (V_R & I_R applied) | Test | 5 000 hours | | | |
| | $\Delta C/C_R$ | $\leq \pm 20\%$ of initial measured value | | | |
| | $\tan\delta$ | $\leq 200\%$ of initial specified value | | | |
| | I_{Leak} | \leq the initial specified value | | | |
| | Deviation Rate @ Useful Life: 10 000 FIT = 1%/1000h with 60% confidence level ▪ parts show higher drift as test criteria | | | | |
| Endurance 105°C (V_R & I_R applied) | Test | 2 000 hours | | | |
| | $\Delta C/C_R$ | $\leq \pm 15\%$ of initial measured value | | | |
| | $\tan\delta$ | $\leq 175\%$ of initial specified value | | | |
| | I_{Leak} | \leq the initial specified value | | | |
| Shelf Life 105°C ($V_R = 0$) | Test | 1 000 hours | | | |
| | $\Delta C/C_R$ | $\leq \pm 15\%$ of initial measured value | | | |
| | $\tan\delta$ | $\leq 175\%$ of initial specified value | | | |
| | I_{Leak} | \leq the initial specified value | | | |
| | Before measurement: Restore capacitor to 20°C, apply V_R for 30 min according JIS-C-5101-4 | | | | |
| Vibration Resistance Test | | Max. 10g force, f_{RANGE} 10Hz ... 55Hz, amplitude 0.75mm; X/Y/Z-axis each 2h; capacitor rigidly clamped by body to surface ▪ IEC 60068-2-6 | | | |

STANDARD RATINGS

| V_R (V) | C_R (μ F) | ϕD (mm) | L (mm) | Typ. ESR +20°C • 120Hz (m Ω) | Max. ESR +20°C • 120Hz (m Ω) | I_R - Max. Ripple Current +105°C • 120Hz (mA rms) | CapXon Part Number |
|--------------|---------------------|------------------|-----------|--|--|--|--------------------|
| 200 | 330 | 22 | 25 | 330 | 600 | 1130 | UJ331M200M250A□□□ |
| | 390 | 22 | 25 | 280 | 510 | 1210 | UJ391M200M250A□□□ |
| | 390 | 22 | 30 | 280 | 510 | 1250 | UJ391M200M300A□□□ |
| | 390 | 25 | 25 | 280 | 510 | 1310 | UJ391M200N250A□□□ |
| | 470 | 22 | 30 | 230 | 420 | 1400 | UJ471M200M300A□□□ |
| | 470 | 25 | 25 | 230 | 420 | 1400 | UJ471M200N250A□□□ |
| | 470 | 25 | 30 | 230 | 420 | 1520 | UJ471M200N300A□□□ |
| | 560 | 22 | 35 | 200 | 360 | 1610 | UJ561M200M350A□□□ |
| | 560 | 25 | 30 | 200 | 360 | 1610 | UJ561M200N300A□□□ |
| | 560 | 30 | 25 | 200 | 360 | 1620 | UJ561M200O250A□□□ |
| | 680 | 22 | 40 | 160 | 290 | 1860 | UJ681M200M400A□□□ |
| | 680 | 25 | 30 | 160 | 290 | 1690 | UJ681M200N300A□□□ |
| | 680 | 30 | 25 | 160 | 290 | 1980 | UJ681M200O250A□□□ |
| | 820 | 22 | 45 | 130 | 240 | 2140 | UJ821M200M450A□□□ |
| | 820 | 25 | 35 | 130 | 240 | 2140 | UJ821M200N350A□□□ |
| | 820 | 30 | 30 | 130 | 240 | 2290 | UJ821M200O300A□□□ |
| | 1000 | 22 | 50 | 110 | 200 | 2480 | UJ102M200M500A□□□ |
| | 1000 | 25 | 40 | 110 | 200 | 2480 | UJ102M200N400A□□□ |
| | 1000 | 30 | 30 | 110 | 200 | 2520 | UJ102M200O300A□□□ |
| | 1000 | 35 | 25 | 110 | 200 | 2440 | UJ102M200P250A□□□ |
| | 1200 | 25 | 45 | 94 | 170 | 2890 | UJ122M200N450A□□□ |
| | 1200 | 30 | 35 | 94 | 170 | 2890 | UJ122M200O350A□□□ |
| | 1200 | 35 | 30 | 94 | 170 | 3030 | UJ122M200P300A□□□ |
| | 1500 | 25 | 55 | 72 | 130 | 3520 | UJ152M200N550A□□□ |
| | 1500 | 30 | 40 | 72 | 130 | 3590 | UJ152M200O400A□□□ |
| | 1500 | 35 | 35 | 72 | 130 | 3520 | UJ152M200P350A□□□ |
| | 1800 | 30 | 45 | 61 | 110 | 4090 | UJ182M200O450A□□□ |
| | 1800 | 35 | 35 | 61 | 110 | 3770 | UJ182M200P350A□□□ |
| | 2200 | 30 | 55 | 50 | 90 | 4820 | UJ222M200O550A□□□ |
| | 2200 | 35 | 45 | 50 | 90 | 4820 | UJ222M200P450A□□□ |
| 2700 | 35 | 50 | 41 | 74 | 5160 | UJ272M200P500A□□□ | |
| 3300 | 35 | 55 | 33 | 60 | 5850 | UJ332M200P550A□□□ | |
| 250 | 220 | 22 | 25 | 500 | 900 | 910 | UJ221M250M250A□□□ |
| | 270 | 22 | 25 | 410 | 740 | 1030 | UJ271M250M250A□□□ |
| | 330 | 22 | 30 | 330 | 600 | 1200 | UJ331M250M300A□□□ |
| | 390 | 22 | 35 | 280 | 510 | 1370 | UJ391M250M350A□□□ |
| | 390 | 25 | 25 | 280 | 510 | 1260 | UJ391M250N250A□□□ |
| | 470 | 22 | 35 | 230 | 420 | 1530 | UJ471M250M350A□□□ |
| | 470 | 25 | 30 | 230 | 420 | 1530 | UJ471M250N300A□□□ |
| | 470 | 30 | 25 | 230 | 420 | 1690 | UJ471M250O250A□□□ |
| | 560 | 22 | 40 | 200 | 360 | 1760 | UJ561M250M400A□□□ |
| | 560 | 25 | 35 | 200 | 360 | 1680 | UJ561M250N350A□□□ |
| | 680 | 22 | 45 | 160 | 290 | 2040 | UJ681M250M450A□□□ |
| | 680 | 25 | 40 | 160 | 290 | 2130 | UJ681M250N400A□□□ |

□□□ see description at end of standard ratings

STANDARD RATINGS

| V_R (V) | C_R (μ F) | ϕ D (mm) | L (mm) | Typ. ESR +20°C • 120Hz (m Ω) | Max. ESR +20°C • 120Hz (m Ω) | I_R - Max. Ripple Current +105°C • 120Hz (mA rms) | CapXon Part Number |
|--------------|---------------------|------------------|-----------|--|--|--|--------------------|
| 250 | 680 | 30 | 30 | 160 | 290 | 2130 | UJ681M250O300A□□□ |
| | 680 | 35 | 25 | 160 | 290 | 2120 | UJ681M250P250A□□□ |
| | 820 | 25 | 45 | 130 | 240 | 2230 | UJ821M250N450A□□□ |
| | 820 | 30 | 35 | 130 | 240 | 2450 | UJ821M250O350A□□□ |
| | 820 | 35 | 30 | 130 | 240 | 2620 | UJ821M250P300A□□□ |
| | 1000 | 25 | 50 | 110 | 200 | 2570 | UJ102M250N500A□□□ |
| | 1000 | 30 | 40 | 110 | 200 | 2850 | UJ102M250O400A□□□ |
| | 1000 | 35 | 30 | 110 | 200 | 2770 | UJ102M250P300A□□□ |
| | 1200 | 30 | 45 | 94 | 170 | 3420 | UJ122M250O450A□□□ |
| | 1200 | 35 | 35 | 94 | 170 | 3260 | UJ122M250P350A□□□ |
| | 1500 | 30 | 50 | 72 | 130 | 3720 | UJ152M250O500A□□□ |
| | 1500 | 35 | 40 | 72 | 130 | 3780 | UJ152M250P400A□□□ |
| | 1800 | 35 | 45 | 61 | 110 | 4090 | UJ182M250P450A□□□ |
| 2200 | 35 | 55 | 50 | 90 | 5040 | UJ222M250P550A□□□ | |
| 350 | 100 | 22 | 25 | 1110 | 1990 | 590 | UJ101M350M250A□□□ |
| | 120 | 22 | 30 | 920 | 1660 | 690 | UJ121M350M300A□□□ |
| | 120 | 25 | 25 | 920 | 1660 | 690 | UJ121M350N250A□□□ |
| | 150 | 22 | 35 | 740 | 1330 | 800 | UJ151M350M350A□□□ |
| | 180 | 25 | 30 | 620 | 1110 | 850 | UJ181M350N300A□□□ |
| | 180 | 30 | 25 | 620 | 1110 | 890 | UJ181M350O250A□□□ |
| | 220 | 22 | 40 | 500 | 900 | 990 | UJ221M350M400A□□□ |
| | 220 | 25 | 40 | 500 | 900 | 1100 | UJ221M350N400A□□□ |
| | 220 | 30 | 30 | 500 | 900 | 1080 | UJ221M350O300A□□□ |
| | 220 | 35 | 25 | 500 | 900 | 1080 | UJ221M350P250A□□□ |
| | 270 | 25 | 45 | 410 | 740 | 1280 | UJ271M350N450A□□□ |
| | 270 | 30 | 35 | 410 | 740 | 1250 | UJ271M350O350A□□□ |
| | 270 | 35 | 25 | 410 | 740 | 1250 | UJ271M350P250A□□□ |
| | 330 | 25 | 50 | 330 | 600 | 1550 | UJ331M350N500A□□□ |
| | 330 | 30 | 35 | 330 | 600 | 1460 | UJ331M350O350A□□□ |
| | 330 | 35 | 30 | 330 | 600 | 1460 | UJ331M350P300A□□□ |
| | 390 | 35 | 40 | 280 | 510 | 1920 | UJ391M350P400A□□□ |
| | 470 | 35 | 45 | 230 | 420 | 2170 | UJ471M350P450A□□□ |
| | 560 | 35 | 45 | 200 | 360 | 2410 | UJ561M350P450A□□□ |
| | 560 | 40 | 40 | 200 | 360 | 2460 | UJ561M350Q400A□□□ |
| | 680 | 35 | 55 | 160 | 290 | 2790 | UJ681M350P550A□□□ |
| | 680 | 40 | 45 | 160 | 290 | 2790 | UJ681M350Q450A□□□ |
| | 820 | 35 | 60 | 130 | 240 | 3210 | UJ821M350P600A□□□ |
| | 820 | 40 | 50 | 130 | 240 | 3150 | UJ821M350Q500A□□□ |
| | 820 | 45 | 40 | 130 | 240 | 3110 | UJ821M350V400A□□□ |
| | 1000 | 35 | 60 | 110 | 200 | 3230 | UJ102M350P600A□□□ |
| | 1000 | 40 | 50 | 110 | 200 | 3260 | UJ102M350Q500A□□□ |
| 1200 | 40 | 55 | 94 | 170 | 3680 | UJ122M350Q550A□□□ | |
| 1500 | 40 | 65 | 72 | 130 | 4560 | UJ152M350Q650A□□□ | |
| 1800 | 40 | 75 | 61 | 110 | 5670 | UJ182M350Q750A□□□ | |

□□□ see description at end of standard ratings

STANDARD RATINGS

| V_R (V) | C_R (μ F) | ϕ D (mm) | L (mm) | Typ. ESR +20°C • 120Hz (m Ω) | Max. ESR +20°C • 120Hz (m Ω) | I_R • Max. Ripple Current +105°C • 120Hz (mA rms) | CapXon Part Number |
|--------------|---------------------|------------------|-----------|--|--|--|--------------------|
| 400 | 100 | 22 | 25 | 1110 | 1990 | 650 | UJ101M400M250A□□□ |
| | 120 | 22 | 25 | 920 | 1660 | 920 | UJ121M400M250A□□□ |
| | 150 | 22 | 30 | 740 | 1330 | 1080 | UJ151M400M300A□□□ |
| | 180 | 22 | 30 | 620 | 1110 | 1150 | UJ181M400M300A□□□ |
| | 180 | 25 | 25 | 620 | 1110 | 1120 | UJ181M400N250A□□□ |
| | 220 | 22 | 35 | 500 | 900 | 1320 | UJ221M400M350A□□□ |
| | 220 | 25 | 30 | 500 | 900 | 1300 | UJ221M400N300A□□□ |
| | 270 | 22 | 40 | 410 | 740 | 1500 | UJ271M400M400A□□□ |
| | 270 | 25 | 35 | 410 | 740 | 1490 | UJ271M400N350A□□□ |
| | 270 | 30 | 25 | 410 | 740 | 1330 | UJ271M400O250A□□□ |
| | 330 | 22 | 50 | 330 | 600 | 1760 | UJ331M400M500A□□□ |
| | 330 | 25 | 40 | 330 | 600 | 1680 | UJ331M400N400A□□□ |
| | 330 | 30 | 30 | 330 | 600 | 1550 | UJ331M400O300A□□□ |
| | 330 | 35 | 25 | 330 | 600 | 1440 | UJ331M400P250A□□□ |
| | 390 | 22 | 55 | 280 | 510 | 1940 | UJ391M400M550A□□□ |
| | 390 | 25 | 45 | 280 | 510 | 1860 | UJ391M400N450A□□□ |
| | 390 | 30 | 35 | 280 | 510 | 1750 | UJ391M400O350A□□□ |
| | 390 | 35 | 30 | 280 | 510 | 1750 | UJ391M400P300A□□□ |
| | 470 | 25 | 50 | 230 | 420 | 2070 | UJ471M400N500A□□□ |
| | 470 | 30 | 40 | 230 | 420 | 1970 | UJ471M400O400A□□□ |
| | 470 | 35 | 30 | 230 | 420 | 1910 | UJ471M400P300A□□□ |
| | 560 | 25 | 60 | 200 | 360 | 2370 | UJ561M400N600A□□□ |
| | 560 | 30 | 45 | 200 | 360 | 2180 | UJ561M400O450A□□□ |
| | 560 | 35 | 35 | 200 | 360 | 1920 | UJ561M400P350A□□□ |
| | 680 | 30 | 50 | 160 | 290 | 2410 | UJ681M400O500A□□□ |
| | 680 | 35 | 40 | 160 | 290 | 2350 | UJ681M400P400A□□□ |
| | 820 | 30 | 60 | 130 | 240 | 2760 | UJ821M400O600A□□□ |
| | 820 | 35 | 45 | 130 | 240 | 2670 | UJ821M400P450A□□□ |
| | 1000 | 35 | 55 | 110 | 200 | 3160 | UJ102M400P550A□□□ |
| | 1000 | 40 | 50 | 110 | 200 | 3240 | UJ102M400Q500A□□□ |
| 1200 | 35 | 60 | 94 | 170 | 3560 | UJ122M400P600A□□□ | |
| 1200 | 40 | 55 | 94 | 170 | 3640 | UJ122M400Q550A□□□ | |
| 1500 | 45 | 70 | 72 | 130 | 4680 | UJ152M400V700A□□□ | |
| 1800 | 45 | 80 | 61 | 110 | 5290 | UJ182M400V800A□□□ | |
| 450 | 82 | 22 | 25 | 1790 | 3230 | 590 | UJ820M450M250A□□□ |
| | 100 | 22 | 30 | 1470 | 2650 | 690 | UJ101M450M300A□□□ |
| | 100 | 25 | 25 | 1470 | 2650 | 690 | UJ101M450N250A□□□ |
| | 120 | 22 | 35 | 1230 | 2210 | 720 | UJ121M450M350A□□□ |
| | 150 | 22 | 35 | 980 | 1770 | 920 | UJ151M450M350A□□□ |
| | 150 | 25 | 30 | 980 | 1770 | 910 | UJ151M450N300A□□□ |
| | 150 | 30 | 25 | 980 | 1770 | 970 | UJ151M450O250A□□□ |
| | 180 | 22 | 40 | 820 | 1470 | 1280 | UJ181M450M400A□□□ |
| | 180 | 25 | 30 | 820 | 1470 | 1200 | UJ181M450N300A□□□ |
| | 180 | 30 | 25 | 820 | 1470 | 1180 | UJ181M450O250A□□□ |

□□□ see description at end of standard ratings

STANDARD RATINGS

| V_R (V) | C_R (μ F) | ϕD (mm) | L (mm) | Typ. ESR +20°C • 120Hz (m Ω) | Max. ESR +20°C • 120Hz (m Ω) | I_R - Max. Ripple Current +105°C • 120Hz (mA rms) | CapXon Part Number |
|--------------|---------------------|------------------|-----------|--|--|--|--------------------|
| 450 | 220 | 22 | 45 | 670 | 1210 | 1440 | UJ221M450M450A□□□ |
| | 220 | 25 | 35 | 670 | 1210 | 1370 | UJ221M450N350A□□□ |
| | 220 | 30 | 30 | 670 | 1210 | 1360 | UJ221M450O300A□□□ |
| | 330 | 22 | 60 | 440 | 800 | 1860 | UJ331M450M600A□□□ |
| | 330 | 25 | 50 | 440 | 800 | 1820 | UJ331M450N500A□□□ |
| | 330 | 30 | 35 | 440 | 800 | 1640 | UJ331M450O350A□□□ |
| | 330 | 35 | 30 | 440 | 800 | 1640 | UJ331M450P300A□□□ |
| | 390 | 25 | 55 | 380 | 680 | 2010 | UJ391M450N550A□□□ |
| | 390 | 30 | 40 | 380 | 680 | 1830 | UJ391M450O400A□□□ |
| | 390 | 35 | 35 | 380 | 680 | 1830 | UJ391M450P350A□□□ |
| | 470 | 25 | 60 | 310 | 560 | 2210 | UJ471M450N600A□□□ |
| | 470 | 30 | 45 | 310 | 560 | 2050 | UJ471M450O450A□□□ |
| | 470 | 35 | 40 | 310 | 560 | 2050 | UJ471M450P400A□□□ |
| | 560 | 30 | 50 | 260 | 470 | 2260 | UJ561M450O500A□□□ |
| | 560 | 35 | 45 | 260 | 470 | 2180 | UJ561M450P450A□□□ |
| | 680 | 30 | 60 | 220 | 390 | 2590 | UJ681M450O600A□□□ |
| | 680 | 35 | 50 | 220 | 390 | 2580 | UJ681M450P500A□□□ |
| | 820 | 35 | 60 | 180 | 320 | 2800 | UJ821M450P600A□□□ |
| | 820 | 40 | 50 | 180 | 320 | 2800 | UJ821M450Q500A□□□ |
| | 1000 | 35 | 65 | 150 | 270 | 3210 | UJ102M450P650A□□□ |
| 1000 | 40 | 55 | 150 | 270 | 3210 | UJ102M450Q550A□□□ | |
| 1200 | 40 | 70 | 120 | 220 | 3540 | UJ122M450Q700A□□□ | |
| 500 | 56 | 22 | 25 | 2630 | 4740 | 630 | UJ560M500M250A□□□ |
| | 82 | 22 | 35 | 1790 | 3230 | 820 | UJ820M500M350A□□□ |
| | 82 | 25 | 25 | 1790 | 3230 | 780 | UJ820M500N250A□□□ |
| | 120 | 22 | 45 | 1230 | 2210 | 1050 | UJ121M500M450A□□□ |
| | 120 | 25 | 35 | 1230 | 2210 | 1020 | UJ121M500N350A□□□ |
| | 120 | 30 | 25 | 1230 | 2210 | 970 | UJ121M500O250A□□□ |
| | 150 | 22 | 50 | 980 | 1770 | 1200 | UJ151M500M500A□□□ |
| | 150 | 25 | 40 | 980 | 1770 | 1170 | UJ151M500N400A□□□ |
| | 150 | 30 | 30 | 980 | 1770 | 1130 | UJ151M500O300A□□□ |
| | 150 | 35 | 25 | 980 | 1770 | 1090 | UJ151M500P250A□□□ |
| | 180 | 22 | 60 | 820 | 1470 | 1370 | UJ181M500M600A□□□ |
| | 180 | 25 | 45 | 820 | 1470 | 1310 | UJ181M500N450A□□□ |
| | 180 | 30 | 35 | 820 | 1470 | 1280 | UJ181M500O350A□□□ |
| | 180 | 35 | 30 | 820 | 1470 | 1260 | UJ181M500P300A□□□ |
| | 220 | 25 | 50 | 670 | 1210 | 1460 | UJ221M500N500A□□□ |
| | 220 | 30 | 40 | 670 | 1210 | 1450 | UJ221M500O400A□□□ |
| | 220 | 35 | 35 | 670 | 1210 | 1440 | UJ221M500P350A□□□ |
| | 270 | 25 | 60 | 540 | 980 | 1700 | UJ271M500N600A□□□ |
| | 270 | 30 | 45 | 540 | 980 | 1630 | UJ271M500O450A□□□ |
| | 270 | 35 | 35 | 540 | 980 | 1630 | UJ271M500P350A□□□ |
| 330 | 30 | 50 | 440 | 800 | 1810 | UJ331M500O500A□□□ | |
| 330 | 35 | 40 | 440 | 800 | 1710 | UJ331M500P400A□□□ | |

□□□ see description at end of standard ratings

STANDARD RATINGS

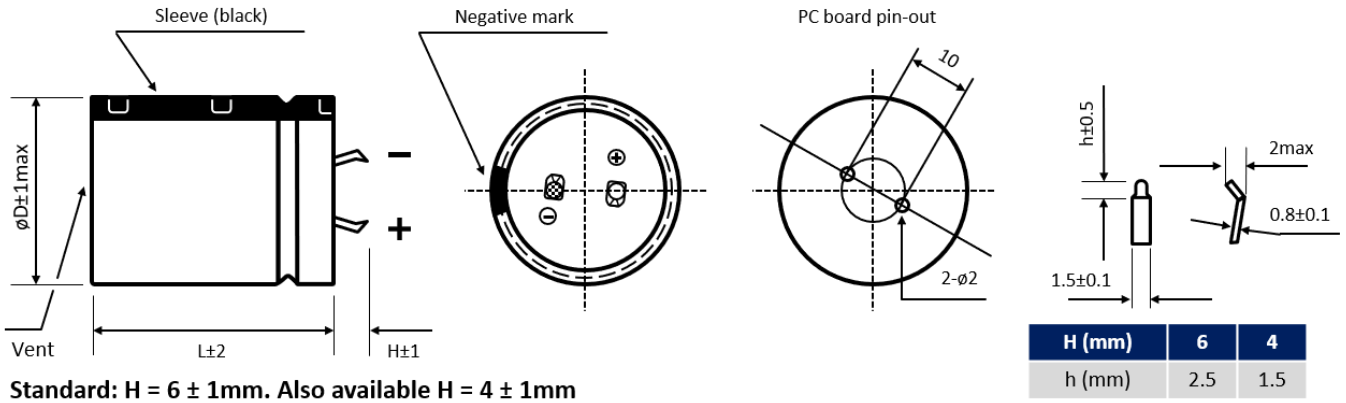
| V _R (V) | C _R (μF) | ∅ D (mm) | L (mm) | Typ. ESR +20°C • 120Hz (mΩ) | Max. ESR +20°C • 120Hz (mΩ) | I _R • Max. Ripple Current +105°C • 120Hz (mA rms) | CapXon Part Number |
|--------------------|---------------------|----------|--------|-----------------------------|-----------------------------|--|--------------------|
| 500 | 390 | 30 | 60 | 380 | 680 | 2060 | UJ391M500O600A□□□ |
| | 390 | 35 | 50 | 380 | 680 | 2060 | UJ391M500P500A□□□ |
| | 470 | 35 | 55 | 310 | 560 | 2190 | UJ471M500P550A□□□ |
| | 560 | 35 | 60 | 260 | 470 | 2650 | UJ561M500P600A□□□ |
| | 680 | 40 | 60 | 220 | 390 | 3000 | UJ681M500Q600A□□□ |
| | 820 | 40 | 70 | 180 | 320 | 4000 | UJ821M500Q700A□□□ |
| | 1000 | 40 | 80 | 150 | 270 | 4680 | UJ102M500Q800A□□□ |
| 550 | 47 | 25 | 25 | 3130 | 5640 | 470 | UJ470M550N250A□□□ |
| | 56 | 25 | 30 | 2630 | 4740 | 540 | UJ560M550N300A□□□ |
| | 68 | 25 | 35 | 2170 | 3900 | 620 | UJ680M550N350A□□□ |
| | 68 | 30 | 25 | 2170 | 3900 | 650 | UJ680M550O250A□□□ |
| | 82 | 25 | 35 | 1790 | 3230 | 690 | UJ820M550N350A□□□ |
| | 82 | 30 | 30 | 1790 | 3230 | 730 | UJ820M550O300A□□□ |
| | 100 | 25 | 40 | 1470 | 2650 | 800 | UJ101M550N400A□□□ |
| | 100 | 30 | 35 | 1470 | 2650 | 840 | UJ101M550O350A□□□ |
| | 100 | 35 | 25 | 1470 | 2650 | 870 | UJ101M550P250A□□□ |
| | 120 | 25 | 50 | 1230 | 2210 | 920 | UJ121M550N500A□□□ |
| | 120 | 30 | 35 | 1230 | 2210 | 940 | UJ121M550O350A□□□ |
| | 120 | 35 | 30 | 1230 | 2210 | 1040 | UJ121M550P300A□□□ |
| | 150 | 25 | 55 | 980 | 1770 | 1090 | UJ151M550N550A□□□ |
| | 150 | 30 | 45 | 980 | 1770 | 1170 | UJ151M550O450A□□□ |
| | 150 | 35 | 35 | 980 | 1770 | 1210 | UJ151M550P350A□□□ |
| | 180 | 30 | 50 | 820 | 1470 | 1330 | UJ181M550O500A□□□ |
| | 180 | 35 | 40 | 820 | 1470 | 1360 | UJ181M550P400A□□□ |
| | 180 | 35 | 35 | 820 | 1470 | 1290 | UJ181M550P350A□□□ |
| | 220 | 30 | 55 | 670 | 1210 | 1540 | UJ221M550O550A□□□ |
| | 220 | 35 | 45 | 670 | 1210 | 1560 | UJ221M550P450A□□□ |
| | 220 | 35 | 35 | 670 | 1210 | 1400 | UJ221M550P350A□□□ |
| | 270 | 35 | 50 | 540 | 980 | 1790 | UJ271M550P500A□□□ |
| | 270 | 35 | 40 | 540 | 980 | 1630 | UJ271M550P400A□□□ |
| 330 | 35 | 50 | 440 | 800 | 1660 | UJ331M550P500A□□□ | |
| 390 | 35 | 55 | 380 | 680 | 1850 | UJ391M550P550A□□□ | |
| 470 | 35 | 60 | 310 | 560 | 2100 | UJ471M550P600A□□□ | |

□□□: Enter **P6** for standard type • 6mm pin length
 □□□: Enter **P6X** for standard type • 6mm pin length • AEC-Q200
 □□□: Enter **Z6** for 3-pin type • 6mm pin length
 □□□: Enter **Z6X** for 3-pin type • 6mm pin length • AEC-Q200
 □□□: Enter **Y6** for multi-pin type • 6mm pin length
 □□□: Enter **Y6X** for multi-pin type • 6mm pin length • AEC-Q200

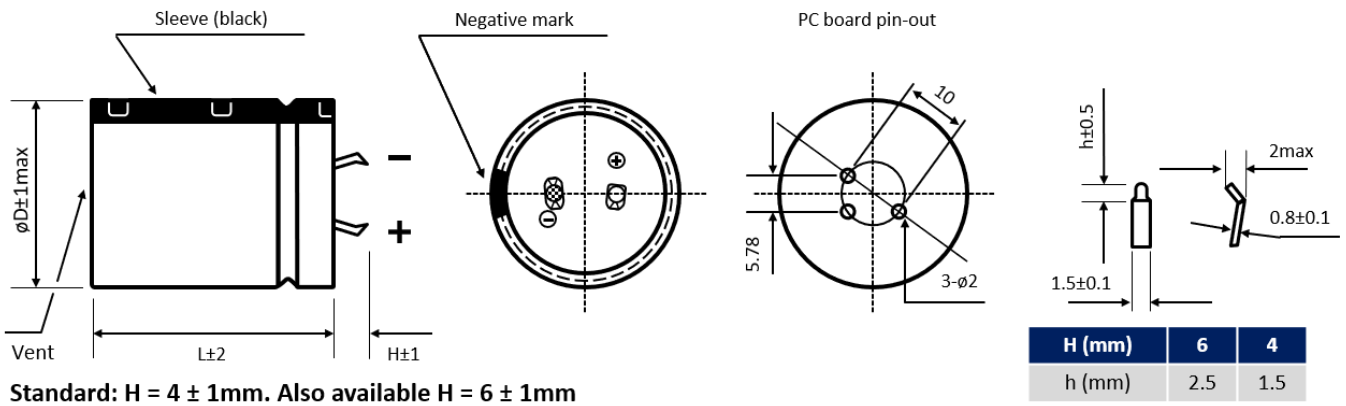
□□□: Enter **P4** for standard type • 4mm pin length
 □□□: Enter **P4X** for standard type • 4mm pin length • AEC-Q200
 □□□: Enter **Z4** for 3-pin type • 4mm pin length
 □□□: Enter **Z4X** for 3-pin type • 4mm pin length • AEC-Q200
 □□□: Enter **Y4** for multi-pin type • 4mm pin length
 □□□: Enter **Y4X** for multi-pin type • 4mm pin length • AEC-Q200

DIMENSIONS ▪ All dimensions in mm

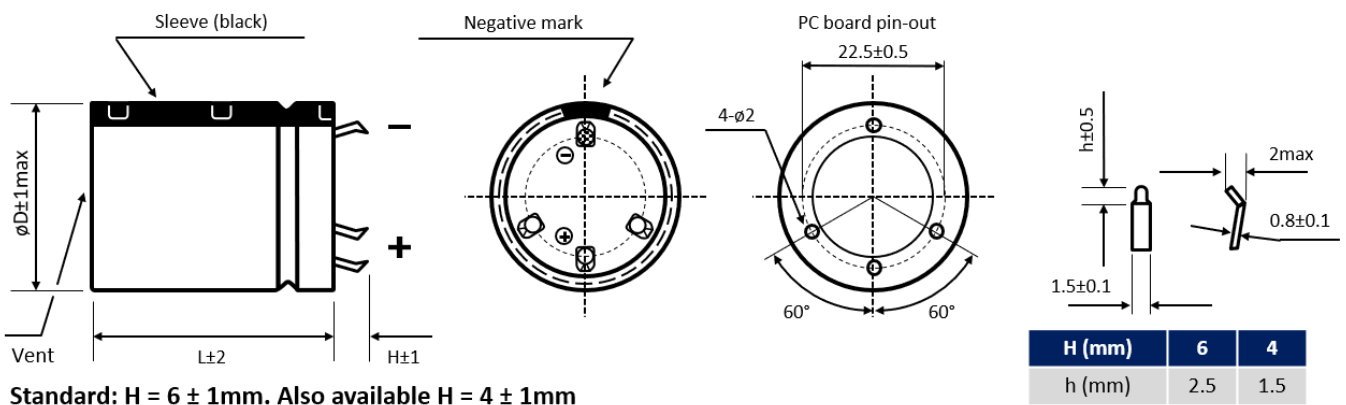
2-pin version ▪ Standard type



3-pin version ▪ Polarity protection



Multipin version ▪ Diameter $\phi D \geq 30$ mm



Further possible terminal styles can be found in our packaging information liquid snap-in.

MULTIPLIER K_f for RIPPLE CURRENT vs. FREQUENCY

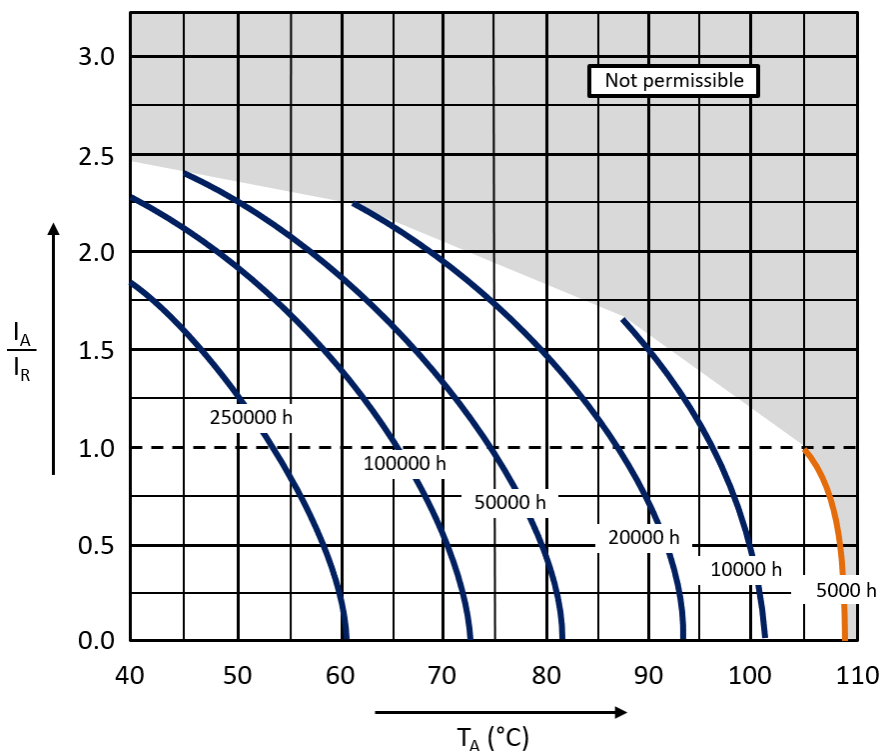
| V_R (V) / Frequency (Hz) | 50/60 | 100/120 | 300 | 1k | 10k | 50k - 100k |
|----------------------------|-------|---------|------|------|------|------------|
| $200 \leq V_R \leq 250$ | 0.81 | 1 | 1.17 | 1.32 | 1.45 | 1.5 |
| $350 \leq V_R \leq 550$ | 0.77 | 1 | 1.16 | 1.3 | 1.41 | 1.43 |

PRECAUTIONS, GUIDELINES AND PACKAGING INFORMATION

Unless otherwise agreed in individual specifications, all products are subject to our “General Precautions and Guidelines” as well as our “Packaging Information”. Please refer to the following links in the table.

| | | | | |
|--|---------------------------------------|---|---------------------------|-----------------------------------|
| | | | | |
| General Precautions & Guidelines | Packaging Information | Vibration Test Profiles | 3D Models | Reliability Tests |

USEFUL LIFE



With: I_A : Application current
 I_R : Rated ripple current (A RMS)
 T_A : Application temperature of the capacitor



DISCLAIMER

All product related data (e.g. specification, statements and general information) are subject to change without any notice. It is necessary that the customer observes all product related technical / application information and handling instructions.

CapXon products are designed and manufactured according to severe quality and safety standards. Under no circumstance, CapXon warrants that any CapXon product is suitable for the purposes intended for your application, even CapXon knows the application. It is customer's duty and obligation to check and make sure that CapXon products are suitable for the purposes intended and select the correct and proper CapXon product. Customers are requested to perform a sufficient validation and reliability evaluation to assure needed safety level and reliability performance by suitable designs and to apply proper safeguards (e.g. redundancies, protective circuits).

Particular operating conditions (ambient temperature, ripple current, voltage, thermal resistance, etc.) as well as storage, production or assembly may affect the performance and the lifetime of the capacitor. Please consult CapXon for lifetime estimation, failure mode considerations or worst-case scenarios according to the product technology, product tolerances / deviations or change of the characteristics of the capacitor due to shipment, storage, handling, production and usage.

For aerospace or military application, life-saving, life-sustaining, safety critical applications or any application where failure may cause severe personal injury or death, please consult us before design-in the capacitor in your application.

Except for the written expressed warranties, CapXon does not impliedly, by assumption or whatever else, warrant, undertake, promise any other warranty or guaranty for any CapXon product.

For further information, please visit our website www.capxongroup.com or contact CapXon directly.